



Winston Battery

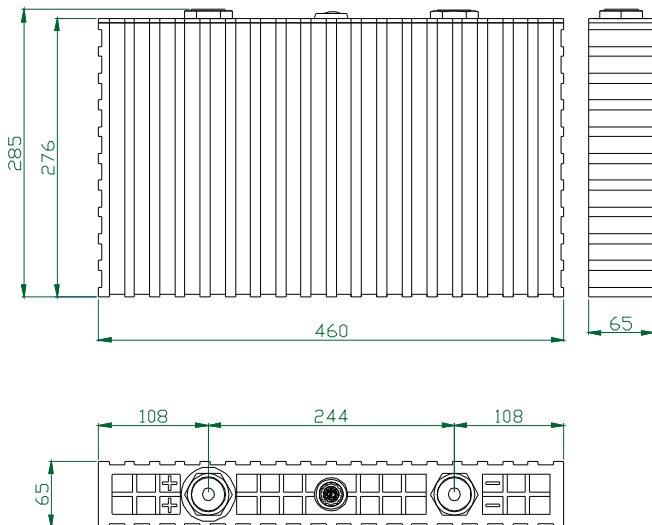
Address: Winston Industrial Park, Third Industrial Zone, Lisonglang Village,
Gongming Town, Shenzhen, Guangdong P.R.C
Tel: +86-755-8602 6789 Fax: +86-755-8602 6678
Http: //www.winston-battery.com E-mail: winston@winston-battery.com

溫斯頓牌稀土鋰鈮動力電池性能說明 SPECIFICATION FOR WINSTON RARE EARTH LITHIUM YTTRIUM POWER BATTERY

單體電池尺寸 DIMENSIONS



型号(MODEL): WB-LYP400AHA



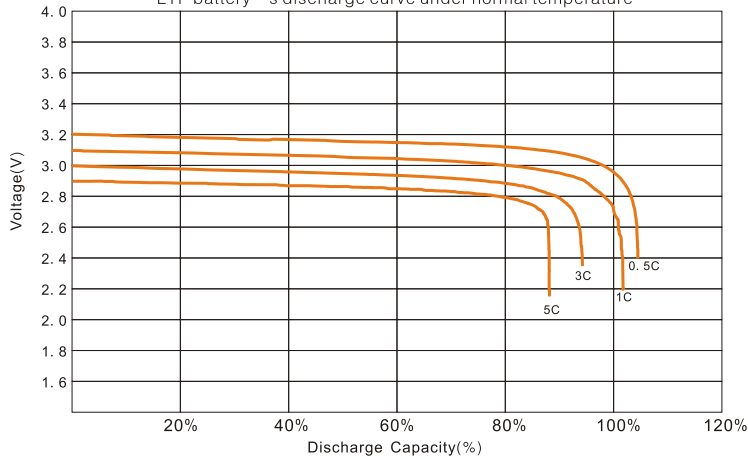
技術參數 SPECIFICATIONS

型號(MODEL)	WB-LYP400AHA(B)	
標稱容量 Nominal Capacity	400AH	
規格 SPEC	長 L	460mm
	寬 W	65mm
	高 H	285mm
工作電壓 Operation Voltage	充電 Charge	4.0(V)
	放電 Discharge	2.8(V)
內阻 Internal resistance	≤0.3(mΩ)	
最大放電電流 Max Discharge Current	恒電流 Constant Current	≤3CA
	脈衝試 Impulse Current	≤10CA
最大充電電流 Max Charge Current	1200A(3CA)	
標準充放電電流 Standard Charge/ Discharge Current	200A(0.5CA)	
循環壽命 Cycle Life	(80%DOD)	≥5000Times
	(70%DOD)	≥7000Times
殼體耐溫性 Temperature Durability Of Case	≤200°C	
適應環境 Operation Temperature	充電 Charge	-45°C ~ 85°C
	放電 Discharge	
	存儲濕度 Storage Humidity	≤75%RH
自放電率(月) Self-discharge Rate	≤3% (月/Monthly)	
單體電池重量 Weight	13.5kg ± 250g	

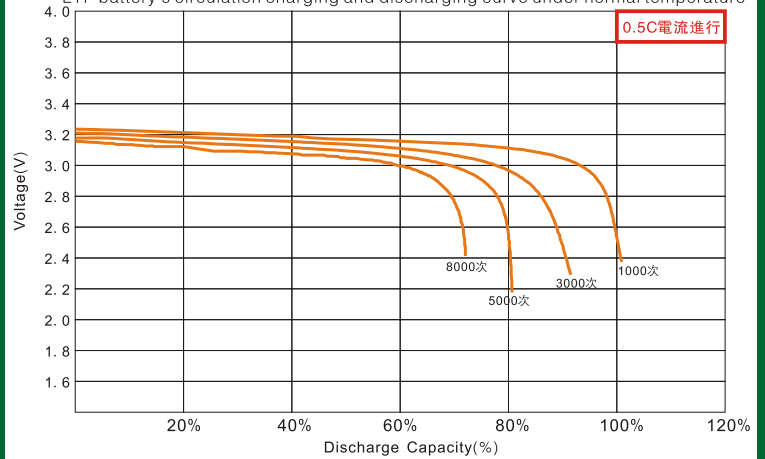
WB-LYP400AHA型電池的充放電特性

WB-LYP400AHA CHARGE & DISCHARGE CHART

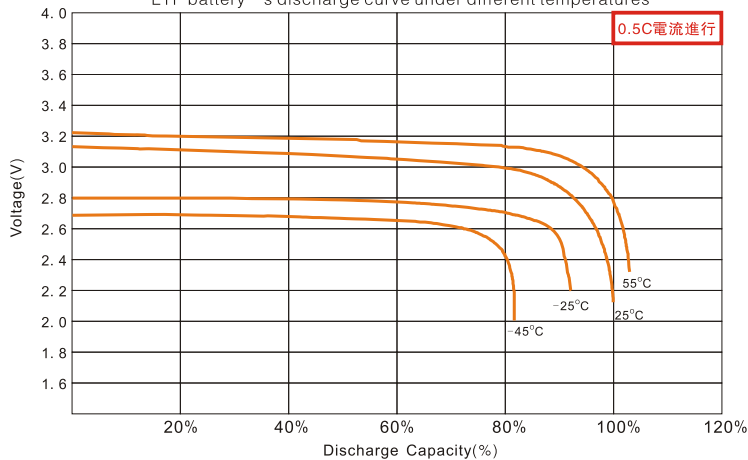
常溫下LYP類電池的放電特性曲線
LYP battery's discharge curve under normal temperature



常溫下LYP類電池的循環充放電特性曲線
LYP battery's circulation charging and discharging curve under normal temperature



不同環境溫度下LYP類電池的放電特性曲線
LYP battery's discharge curve under different temperatures



在常溫境溫下LYP類電池的存儲特性曲線
LYP battery's storage characteristic curve in normal temperature

