

Features

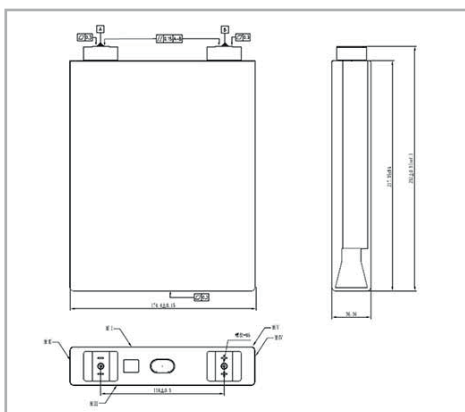
- Qualified for RoHS & CCC with high safety
- More than 2000 cycles under the designed working condition
- Anti-explosion safety valve applied
- Ceramic membrane technology applied to enhance safety
- High energy density: 163wh/kg
- High charge/discharge rates


Specification

Nominal Voltage	3.2V
Nominal Capacity	163Ah
Dimension	174.4*36.6*230.5mm
Internal Resistance	0.2~0.5mΩ
Weight	3.19±0.15kg
Shell Material	Aluminium
Life Cycle @ 0,3C 80% DOD	2,000

Operating Conditions

Charge	Charge Voltage	3.65V
	End Of Discharge Voltage	2.5V
	Standard Charge Current	0.5C
	Max. Charge Current	163A(1C)
Discharge	Standard Discharge Current	0.5C
	Max. Continuous Discharge Current	163A(1C)
	Max. Pulse Discharge Current(30S)	489A(3C)
Operating Temperature Range	Charging Temperature	-5~60°C
	Discharging Temperature	-20~60°C





Корпорация АйПи
Официальный представитель CALB в России
8-800-555-33-61
www.Liion.ru
sales@Liion.ru